



## Installation guide (Canada version)

### IS7121/IS7121-2/IS7121-22

DECT 6.0 cordless telephone  
with wireless doorbell



Before using this product, read this **Installation guide** for instructions for installing the telephone base, handset and doorbell. For basic settings and operation instructions, see the provided **Abridged user's manual**.

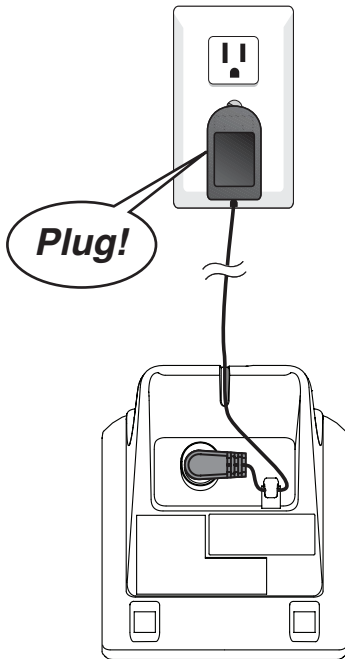
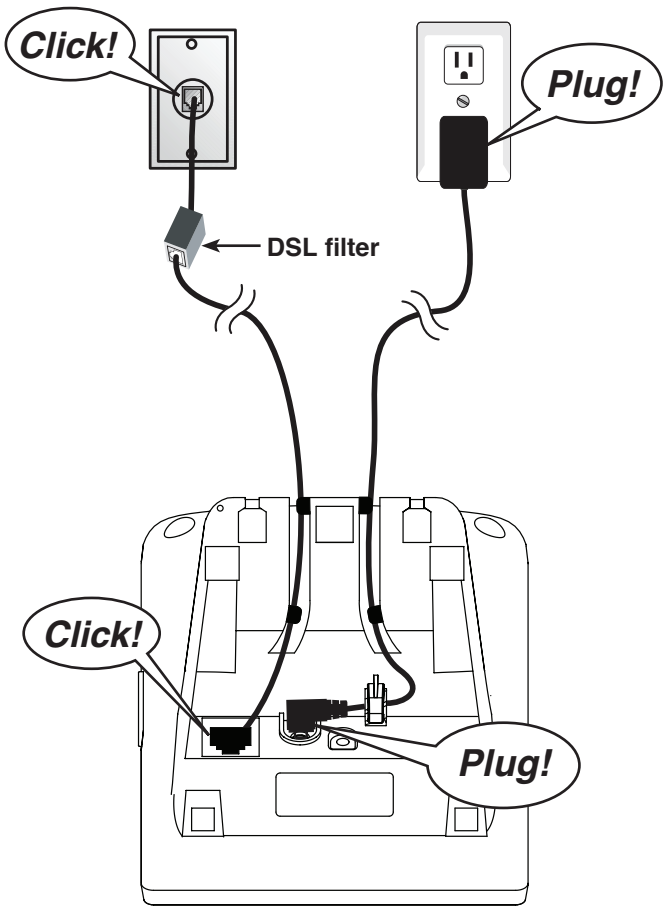
## Basic steps to install your phone and doorbell

### Basic installation

- 1 Install telephone base & charger
- 2 Install handset battery
- 3 Install wall mount bracket
- 4 Install doorbell battery

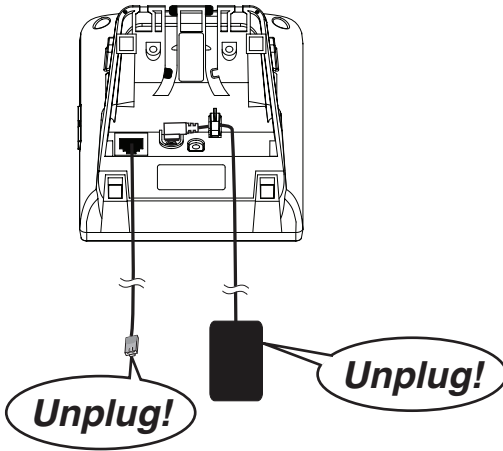
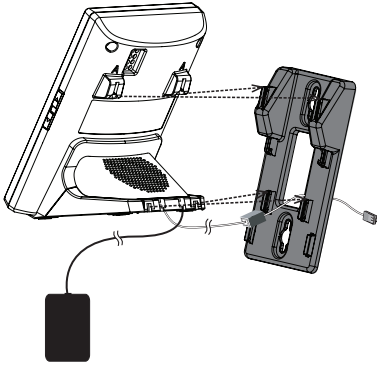
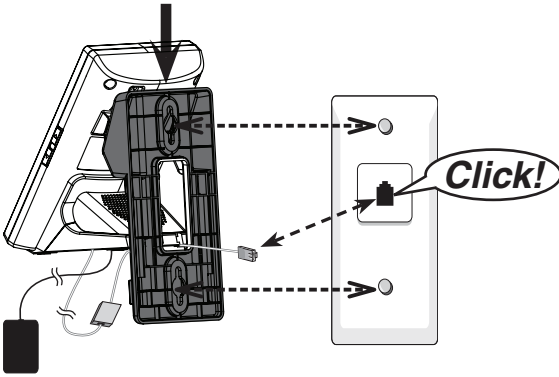
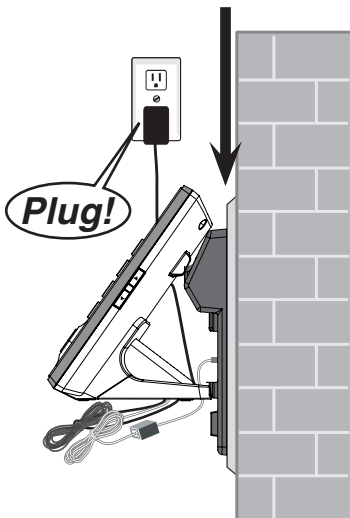
### Doorbell installation

- 5 Doorbell location testing
- 6 Install the doorbell wall mount cover
- 7 Install the doorbell

**1****Install telephone base & charger**

If you subscribe to telephone service from a cable company or a VoIP service provider, contact your cable/VoIP service provider for more information.

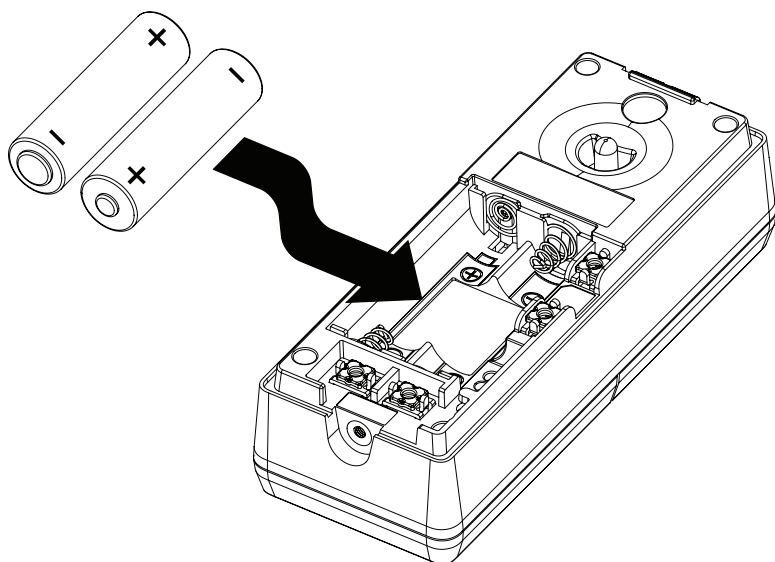


**3****Install wall mount bracket (optional)****1****2****3****Slide the base down!****4****Slide the bracket down!**



## 4

### Install doorbell battery



**note**

The doorbell can also be supported by AC power. See pages 11 and 12 on how to install the power adapter.

**BASIC INSTALLATION COMPLETED!**  
Keep reading for doorbell location testing.

## 5

### Doorbell location testing

Before mounting the doorbell on a wall, make sure you test if the location you install the doorbell is in range, and adjust the camera angle to best suit your needs.

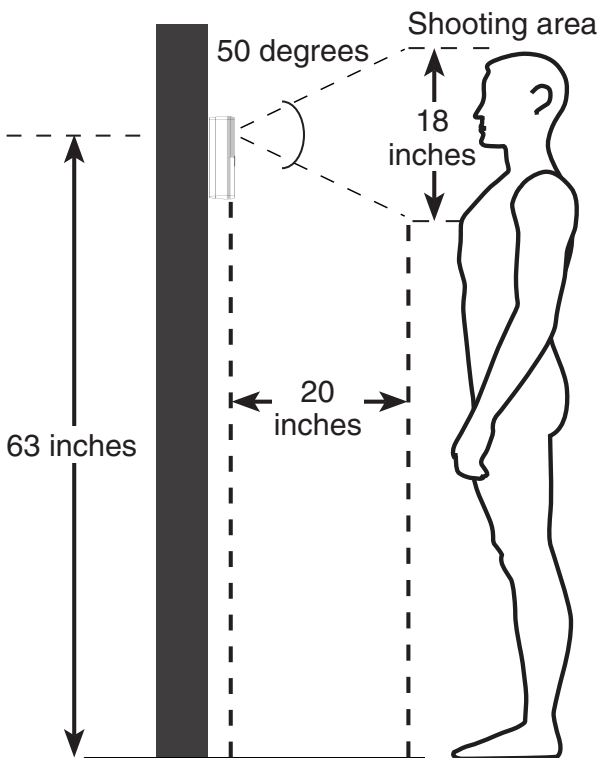
#### To test the location for installation:

Hold the doorbell in the location where you want to install the doorbell, then follow the steps below to test the reception range and video capture angle.

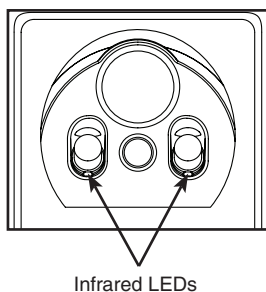
1. Press **MENU** >> Press ▼ or ▲ to **Settings** >> Press **SELECT**.
2. Press ▼ or ▲ to **Doorbell setup** >> Press **SELECT**.
3. Press **DOORBELL** to check the video streaming quality.
4. The handset displays **The handset is muted during the setup mode**, then press **OK**.
5. Press **☼**, then press **+** or **-** to adjust the video streaming brightness.
  - If audio feedback occurs, press **🔇** on the handset to turn off the speakerphone.
  - If the desired location is in good range, the handset displays **📶**.
  - If the desired location is not in good range, the handset flashes **📶** in red. Press **INFO** for instructions to relocate your handset and/or telephone base. When the reception is in good range, the handset displays **📶**. Press **OK** to return to the video streaming.
6. Keep the video streaming on for camera lens adjustment.

When you check for the desirable location to install the doorbell:

- Make sure the visitor is standing in a reasonable distance away from the doorbell.

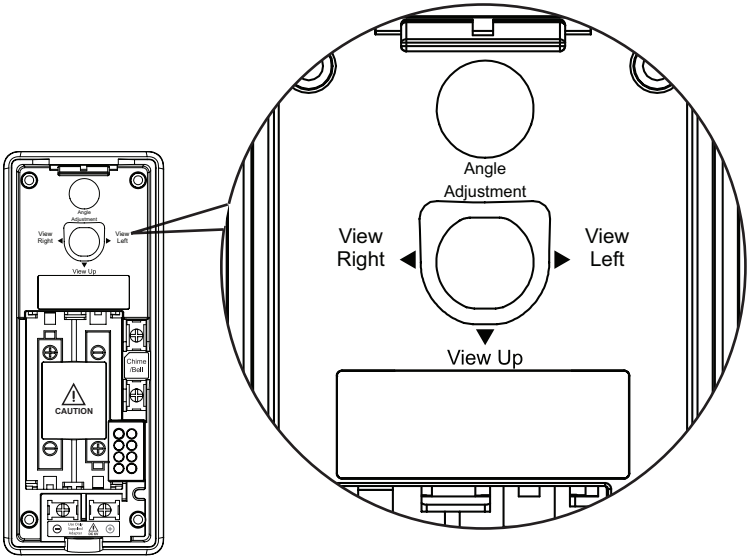


- Avoid mounting it to where it is exposed to direct sunlight.
- Avoid mounting it to where reflections may be caused by sunlight, for example, opposite to a white wall.
- Avoid placing other cordless devices near the doorbell. They may cause interference.
- Two built-in infrared LEDs are for night vision. Make sure the surrounding light source is sufficient for infrared operation. Test at the front door to determine when the infrared LEDs turn on. When they are in operation, they turn red.



To adjust the shooting area, you may either relocate the doorbell in different height level, or adjust the camera angle (see below).

**To adjust the camera angle:**



- Tilt the lever to adjust the angle of the camera lens. The camera lens can be adjusted to left, right or down, up to 10 degrees.

After you have tested the reception range and found the desirable location to install the doorbell, press **END** on the handset to end the video streaming and proceed to Step 6.

**DOORBELL LOCATION TESTING COMPLETED!**  
**Keep reading for Install the doorbell wall mount cover and Install the doorbell.**

# 6

## Install the doorbell wall mount cover

**note**

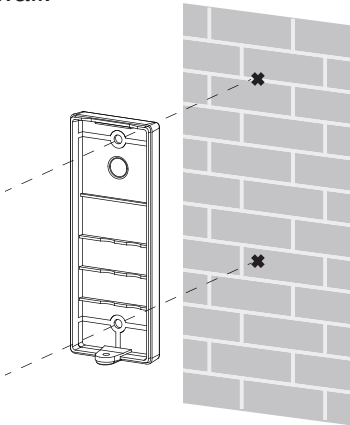
Make sure you have done **Doorbell location testing** above before you mount the doorbell on the wall.



There are two ways to position the wall mount cover and manage the power adapter cord.

### Option 1: Install the doorbell wall mount cover without the wall mount plate

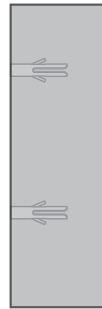
1. Use the two holes on the doorbell wall mount cover to mark the exact location of the screw holes on the wall.



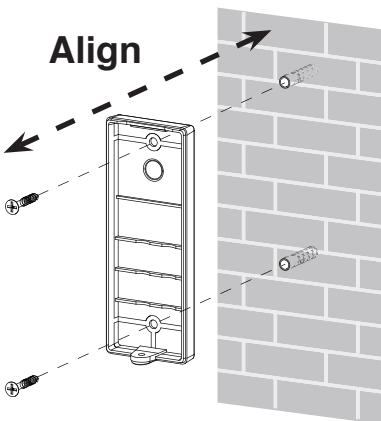
2. If you drill the holes into a stud, go to Step 3.

**-OR-**

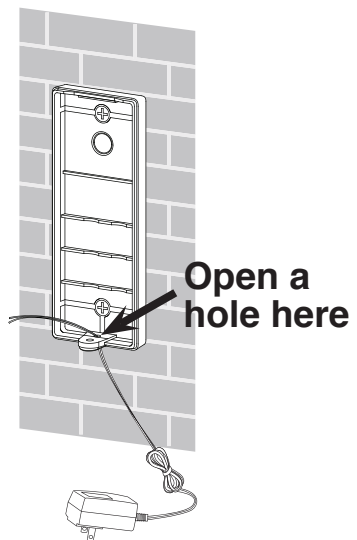
If you drill the holes into the wall, insert the wall anchors into the holes.



3. Align the holes on the wall mount cover with the holes on the wall. Tighten the screws into the holes to secure the wall mount cover onto the wall.



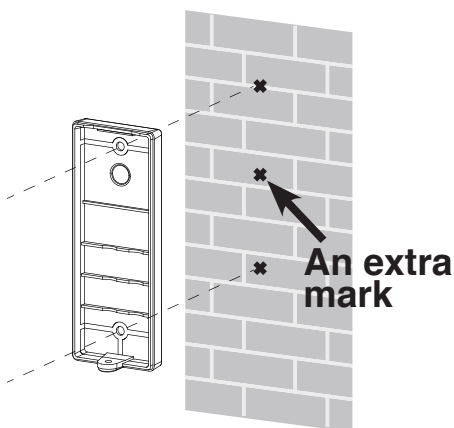
4. Use a sharp object to open a hole on the soft plastic part on the doorbell wall mount cover, then route the power adapter cord through the hole.



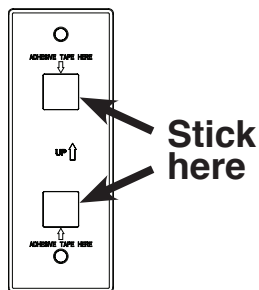
## Option 2: Install the doorbell wall mount cover with the wall mount plate

1. Use the two holes on the doorbell wall mount cover to mark the exact location of the screw holes on the wall.

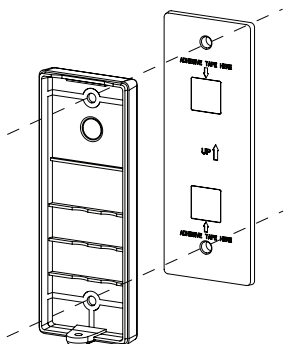
Mark an extra mark for routing the power cord through the wall.



2. Stick the double-sided adhesive tapes onto the wall mount plate as specified.



3. Align and place the wall mount cover onto the wall mount plate. Make sure the UP ↑ sign is pointing upward.



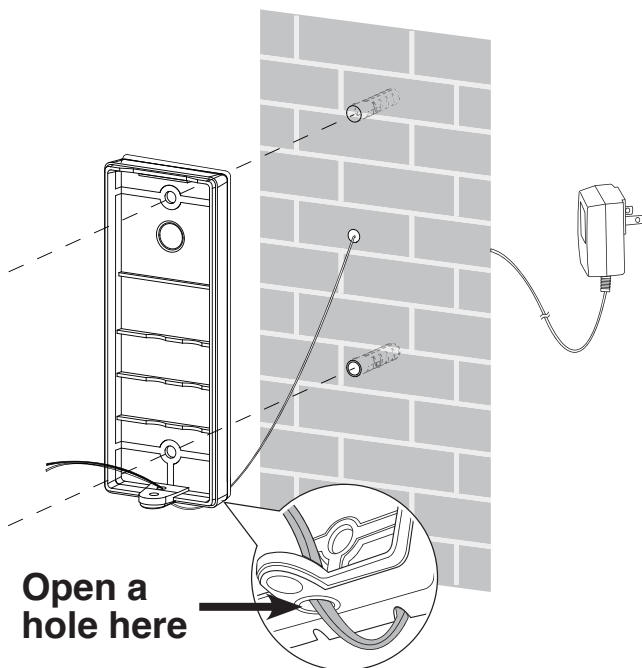
4. If you drill the holes into a stud, go to Step 5.

**-OR-**

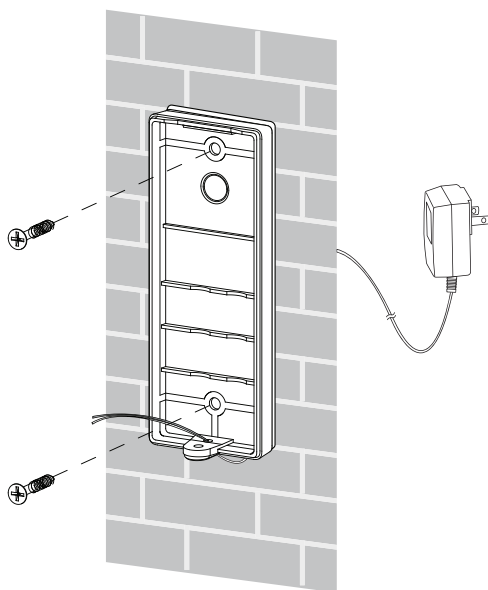
If you drill the holes into the wall, insert the wall anchors into the holes.



5. Use a sharp object to open a hole on the soft plastic part on the doorbell wall mount cover. Route the power adapter cord through the hole on the wall and the opening of the wall mount plate. Then, slide it in through the hole of the wall mount cover.



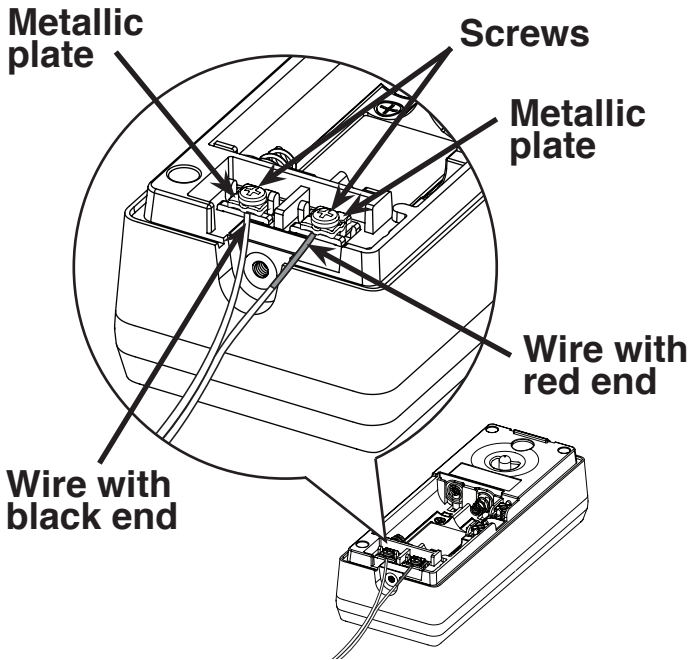
6. Align the holes on the wall mount cover with the holes on the wall. Tighten the screws into the holes to secure the wall mount cover onto the wall.



# 7

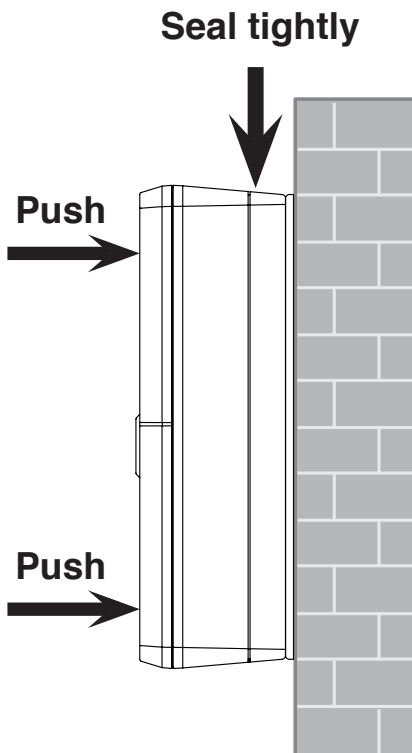
## Install the doorbell

1. Loosen the screws and the metallic plates, then slide the metal part of the wires underneath the metallic plates as shown. Twist the screws to secure.

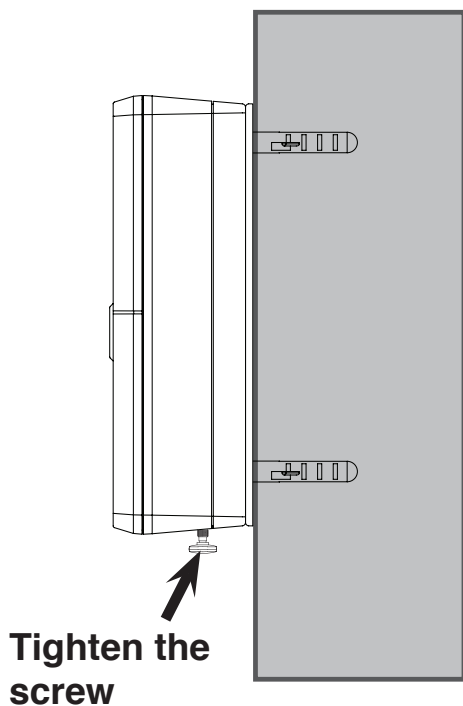


**If you already have a wired doorbell installed, see [Install the doorbell with an existing wired doorbell](#) from pages 14 to 16 to install your new IS7121 doorbell unit.**

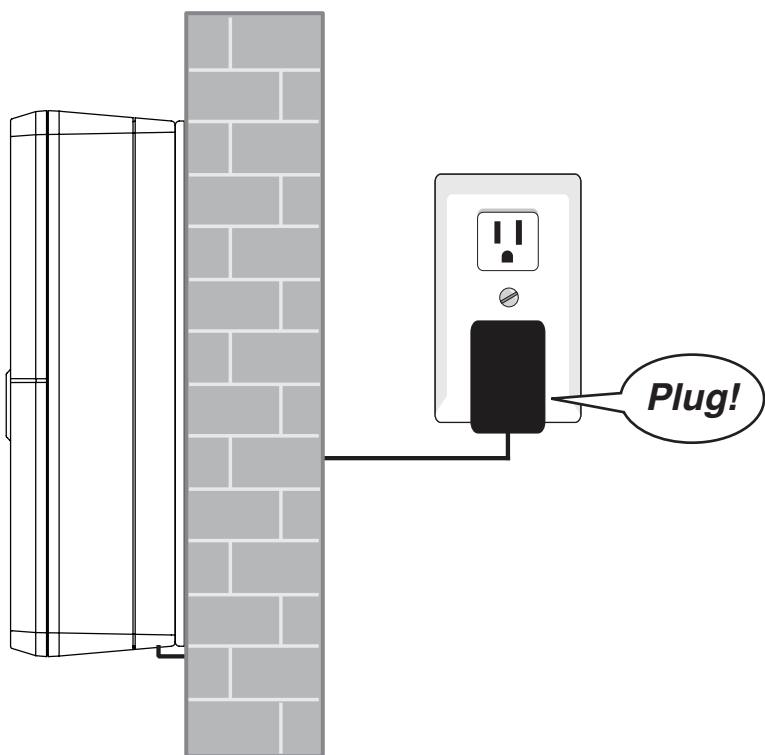
2. Push the doorbell gently onto the wall mount until they are sealed tightly.  
This doorbell meets the **IPX4** waterproof standard. Make sure the doorbell is tightly sealed with its wall mount cover in order to maintain its waterproof ability.



3. Tighten the screw into the threaded socket at the bottom to secure.



4. Plug the adapter into the indoor domestic power supply.



**DOORBELL INSTALLATION COMPLETED!**  
Refer to the Abridged user's manual for  
common settings and operations.

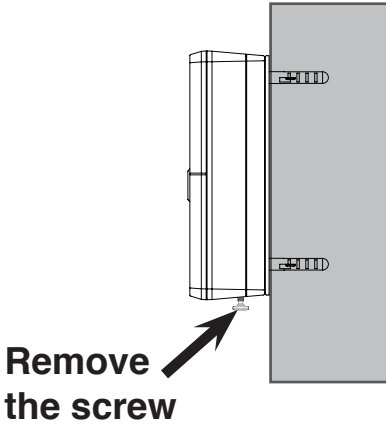


## Detach doorbell from wall mount cover

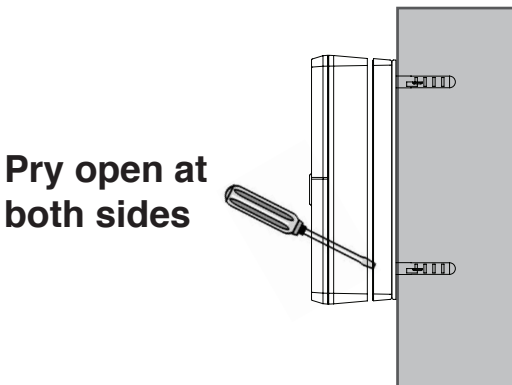
After an extended exposure to cold, heat or humidity, the doorbell gasket rubber may become sticky.

If you need to remove the doorbell from its wall mount cover in case of battery replacement or doorbell relocation, follow the steps below.

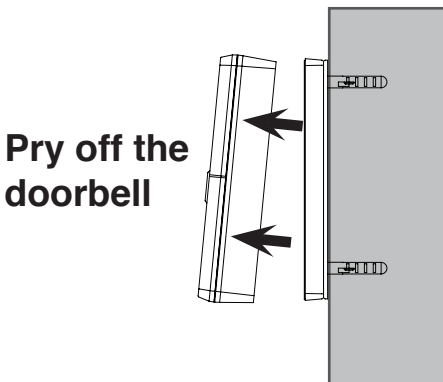
1. Remove the screw at the bottom.



2. Insert a flat-bladed screwdriver between the doorbell and its wall mount cover.



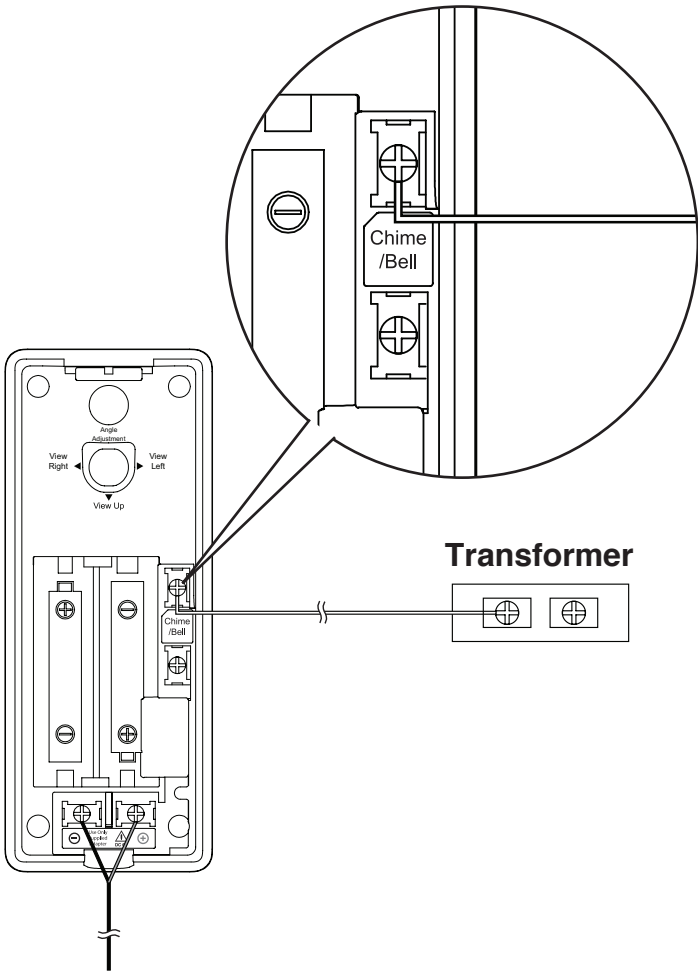
3. Pry the doorbell off.



## Install the doorbell with an existing wired doorbell (optional)

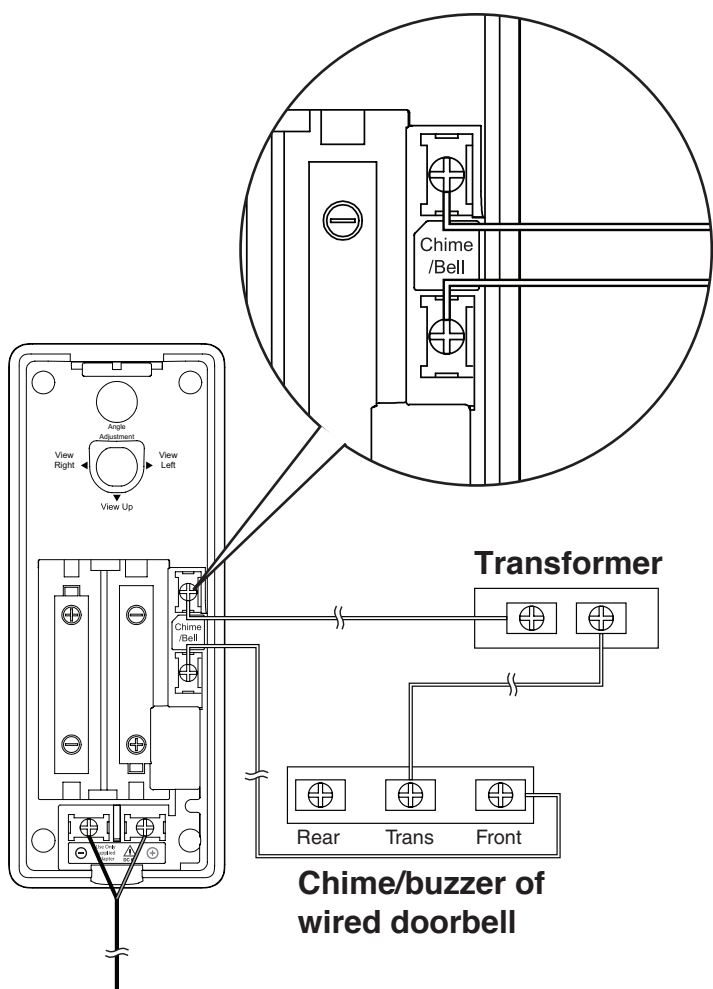
If you already have a wired doorbell installed, follow the instructions below to install your new **IS7121** doorbell unit.

1. Turn off the power supply to the existing wired doorbell.
2. Follow instructions in **Install the doorbell wall mount cover** section.
3. Insert a cross-head screwdriver to the side of the battery compartment on the right, then twist and lift to loosen the screw and the metallic plate. Using a wire, slide one end of the metal part of the wire underneath the metallic plate, then twist the screw to secure. Connect the other end to the transformer.

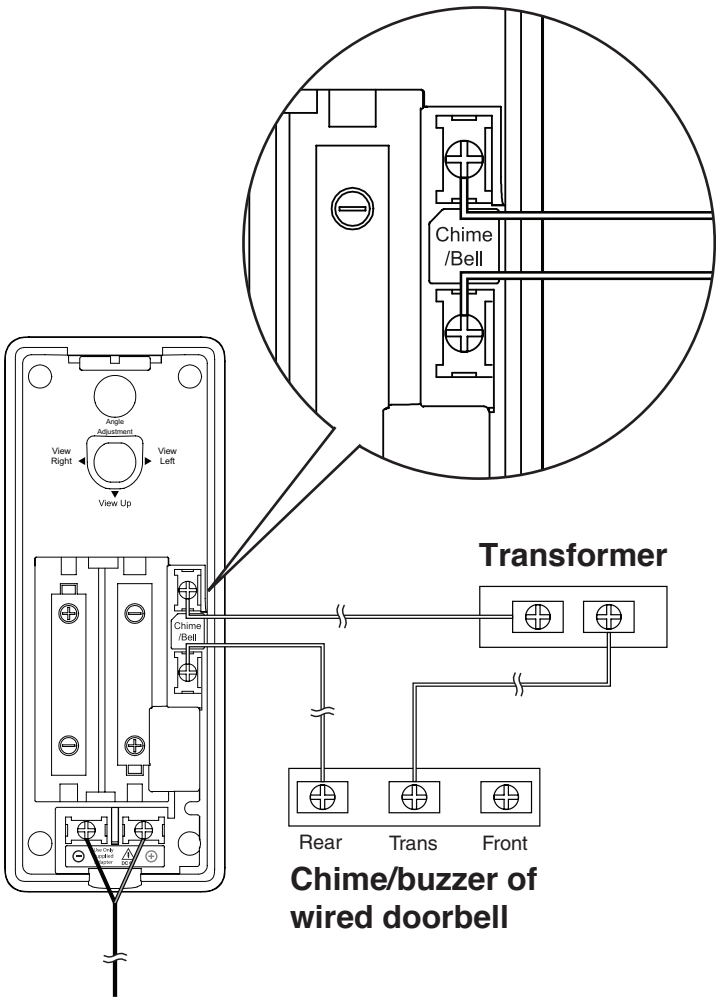


4. Using another wire, slide one end of the metal part underneath the metallic plate on the doorbell, then connect the other end to the Trans terminal of your chime/buzzer unit of the wired doorbell.

**Option 1:** Ring the front doorbell of the existing wired doorbell and the **IS7121** doorbell simultaneously.



**Option 2:** Ring the rear doorbell of the existing wired doorbell and the **IS7121** doorbell simultaneously.



**If you do not connect domestic power supply nor install AA batteries to the IS7121 doorbell, only the existing wired doorbell will ring when being pressed.**

5. Follow instructions in **Install the doorbell** section to complete the installation.

